

ADHESIVE SOLUTIONS

FOR THE
**TRANSPORT
INDUSTRY**



- Reduce costs**
- Prevent corrosion**
- Increase production rate**
- Reduce vehicle weight**
- Improve fatigue resistance**
- Simplify design
with modular conception**
- Improve end-user experience
by noise absorption**



ADEKIT ADHESIVE ASSEMBLY

Strong **AND** flexible:

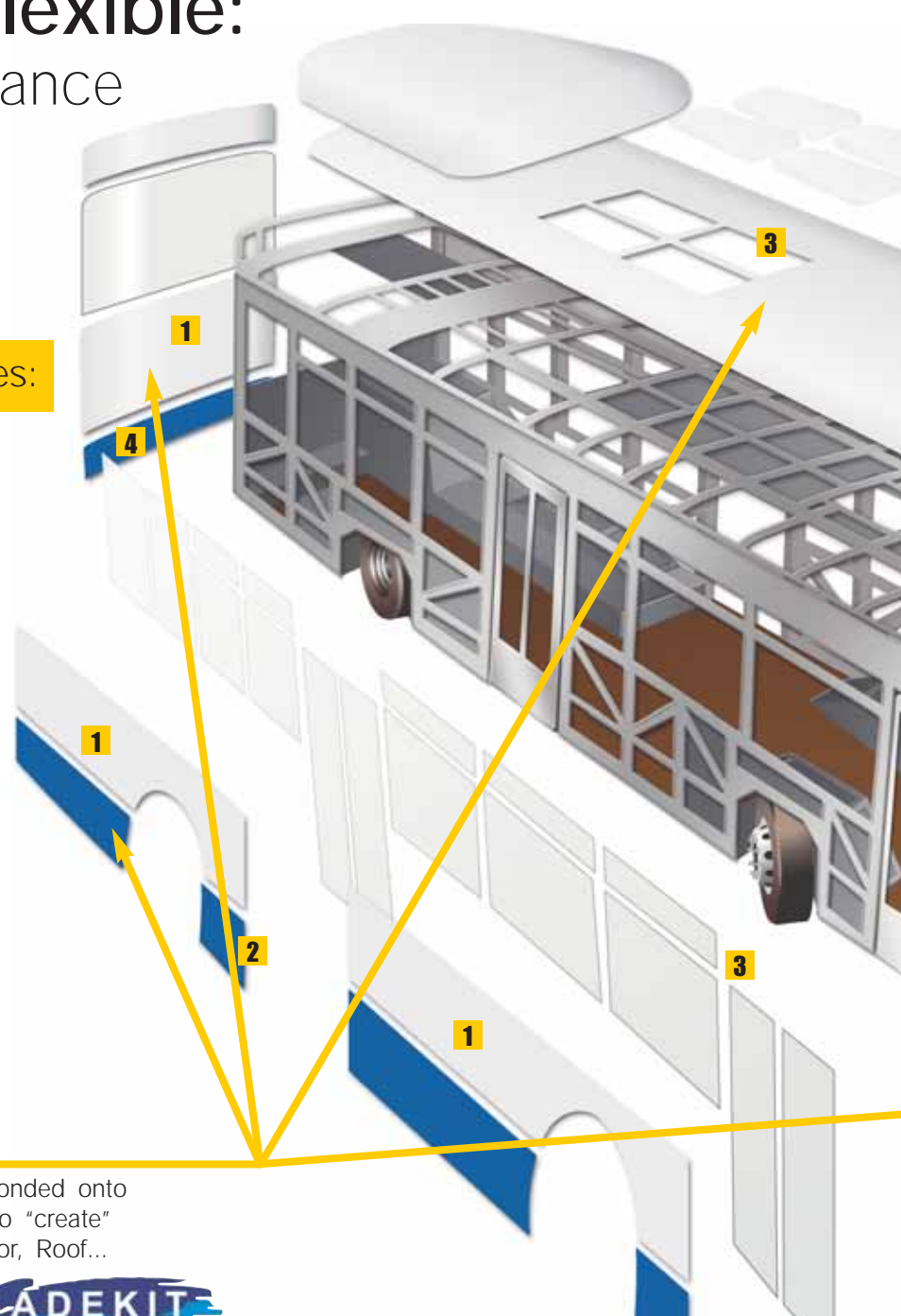
the best performance combination on the market

AXSON ADEKIT advantages:

- Required flexibility allied to high strength
- Wide range of cure speeds for large or small dimensions
- Wide range of viscosities adapted to your application: vertical / thick, high-speed robotic, thin layer, gap-filling...
- Shock resistance : Vibration absorption
- Approved by rail & automotive industries
- Waterproof, seal & give esthetic finish
- Environment & user friendly : Solvent free
- High performance : High Quality
- Can be painted

Bonding & sealing exterior components onto a metal structure

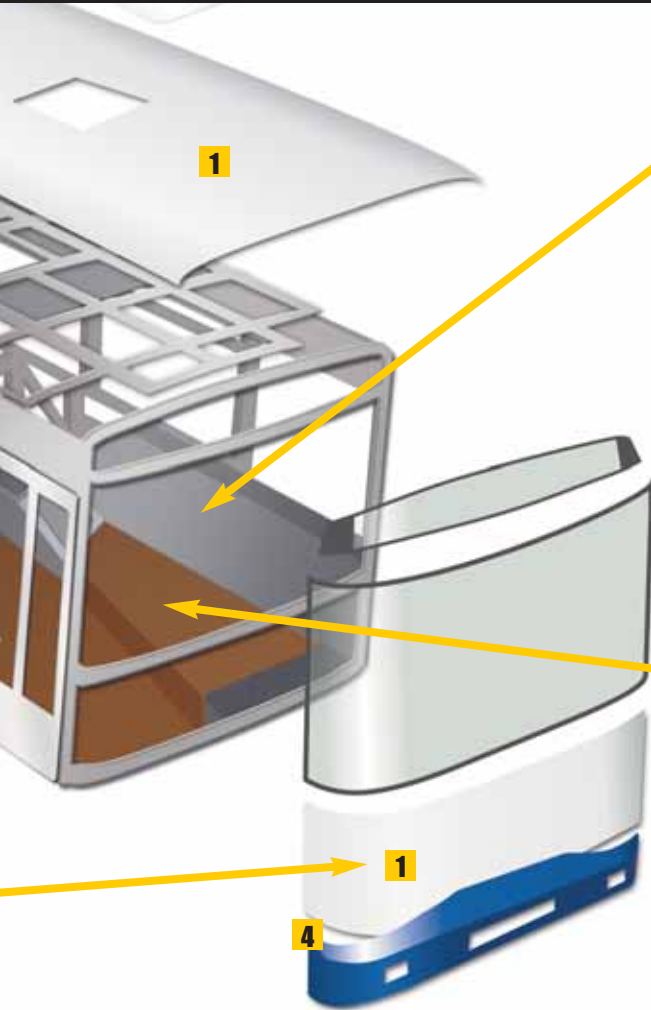
Metal, plastic or composite panels are bonded onto the metal structure (welded or bonded) to "create" the body of the vehicle: side panels, Floor, Roof...



1	Bonding of larger parts onto metal structures : roof, rear and front facade, side panels larger than 2 square meters.	A 200	Gap filling of up to 10mm. Long open time, ideal for large surfaces. High strength & high peel combined with flexibility = excellent dynamic stress characteristics. Elimination of visible adhesive marks on the outside surface. Excellent tolerance for dilatation.
2	Bonding up to 2 square meter sized side panels in metal or composite onto metal structures.	A 220	Ideal combination of cure speed & open time. Excellent dynamic stress characteristics & gap filling. Elimination of visible adhesive marks on the outside surface. Excellent tolerance for dilatation.
3	Sealing & waterproofing.	A 220 / H 6250 A 252	Excellent gap filling & waterproofing.
4	Structural bonding of metallic inserts / big head to composites or metal panels.	A 280 / A 290	Flexible, fast curing adhesive, able to absorb vibrations. Elimination of visible adhesive marks on the outside surface. Excellent tolerance for dilatation.
	Bonding of parts, roof, doors, hoods, trunks, spoilers on metal structure with an automatic dispensing system.	H 6280 / H 6250 H 6230	Highly thixotropic, ideal for the rapid movements of robotic application processes.

BUS TRUCK RAIL CAR SPECIAL

for lighter-weight vehicles



Bonding of structural & decorative interior elements



Bonding of small interior elements.

**A 140 / A 280
A 290**

Short handling time. High performance to bond small parts under high load.

Bonding of large parts.

**A 200 / A 230
A 175 / H 9951 T**

Long open time. Non sagging. High mechanical resistance within a large temperature range.

Bonding of structural & decorative floors



Bonding of floor on structure.

**A 200
A 230**

Gap filling up to 10mm. Long open time. High strength & high peel combined with flexibility. Excellent dynamic stress characteristics.

Bonding of decorative floor on structural floor.

A 220

Viscosities adapted to work with spatula or machine.

AXSON ADEKIT recommended adhesives :

Metal structure bonding		ABS	PMMA	PVC	PC	Alu	Steel	Glass	Carbon epoxy composites	Fiberglass epoxy composites	Fiberglass polyester composites: SMC, GRP, RTM	Sandwich panels	
Metal structures	Steel	PU flexible: A 252, H 6250				PU rigid: A 230		PU flexible: A 252, H 6250	PU rigid: A 230			PU semi flexible: A 200, A 220, A 280, A 290	
	Stainless steel												
	Galvanised metal	PU semi flexible: A 200, A 220, A 280, A 290				Epoxy: A 140, A 175, A 170		Epoxy: A 140, A 175, A 170	Epoxy: A 140, A 175, A 170			Epoxy: A 140, A 175, A 170	
	Aluminium												
	Coated metal												

VEHICLES CONTAINERS SHELTERS

CUSTOMER SOLUTIONS



Analysis, Diagnostic, Resolution

Our comprehensive Adekit range is designed to satisfy the specific requirements for your application.

With recognized expertise in R & D we offer custom-designed solutions which include viscosity & open time adapted to:



- processing & curing conditions
- manual or high-speed robotic application
- small, large or vertical surfaces
- thin, thick bonding line, gap filling
- convenient packaging, from cartridges to drums



Excellent Technical Support Services

Our network of technical staff can give on-site demonstrations, providing expert advice to find the best solution to a range of technical challenges.

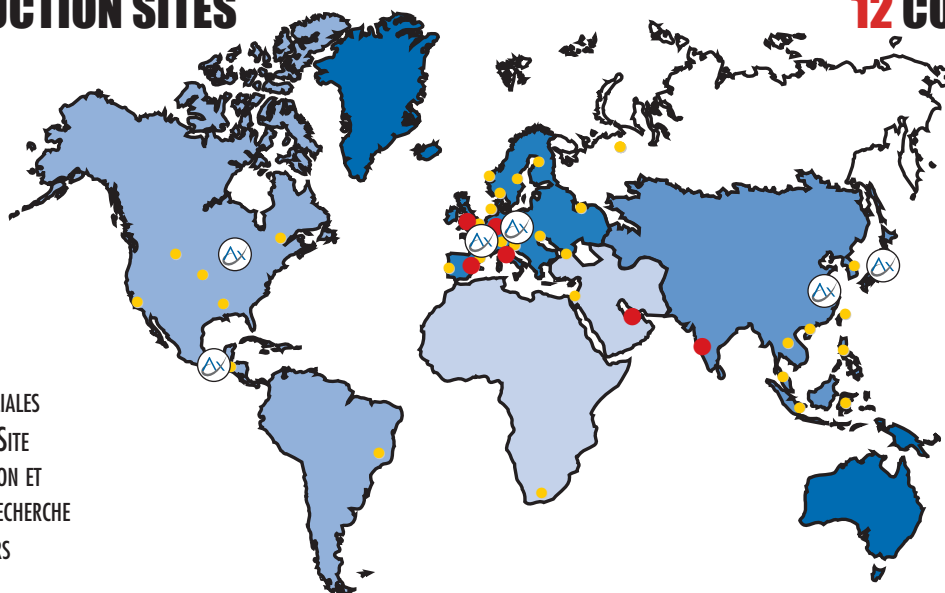
This expertise is backed by strong technical support, excellent levels of customer service and the ability to match great ideas with achievable outcomes.

- on-site, expert advice for application & technical assistance
- local availability through our global network
- personalized service for optimum solutions

6 PRODUCTION SITES

**China
France
Japan
Mexico
Slovakia
USA**

- AXSON ET FILIALES
- ⊗ FILIALE AVEC SITE DE PRODUCTION ET CENTRE DE RECHERCHE
- DISTRIBUTEURS



12 COMPANIES

**China
France
Germany
India
Italy
Japan
Mexico
Spain
Slovakia
U. A. E.
UK
USA**

D00080 - 07/2008 - AXSON reserves the right to modify product specifications, in the interests of its customers, without prior notification. Photographs : Axson, Fotolia

ADHESIVES

See our new website axson.com : TDS, downloads...

Our technicians and engineers are available to answer your specific needs. Contact: adhesive@axson.com

ISSUED BY :



ISO 9001



ISO 14001

